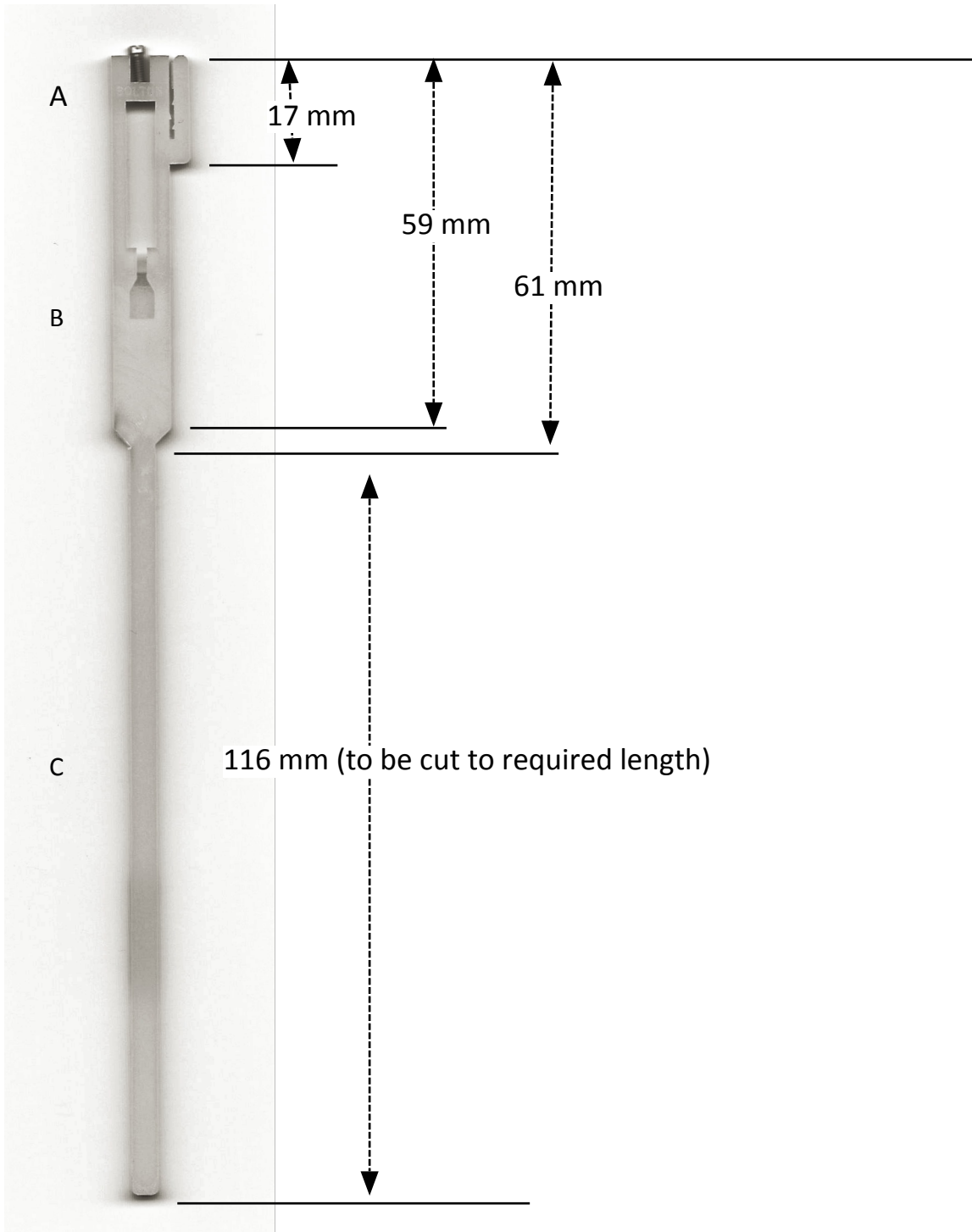


**Scan of Bolton Jack with dimensions marked
(tongue and plectrum not fitted)**



width at A 12 mm

width at B 9 mm

width at C 4 mm

thickness 4 mm